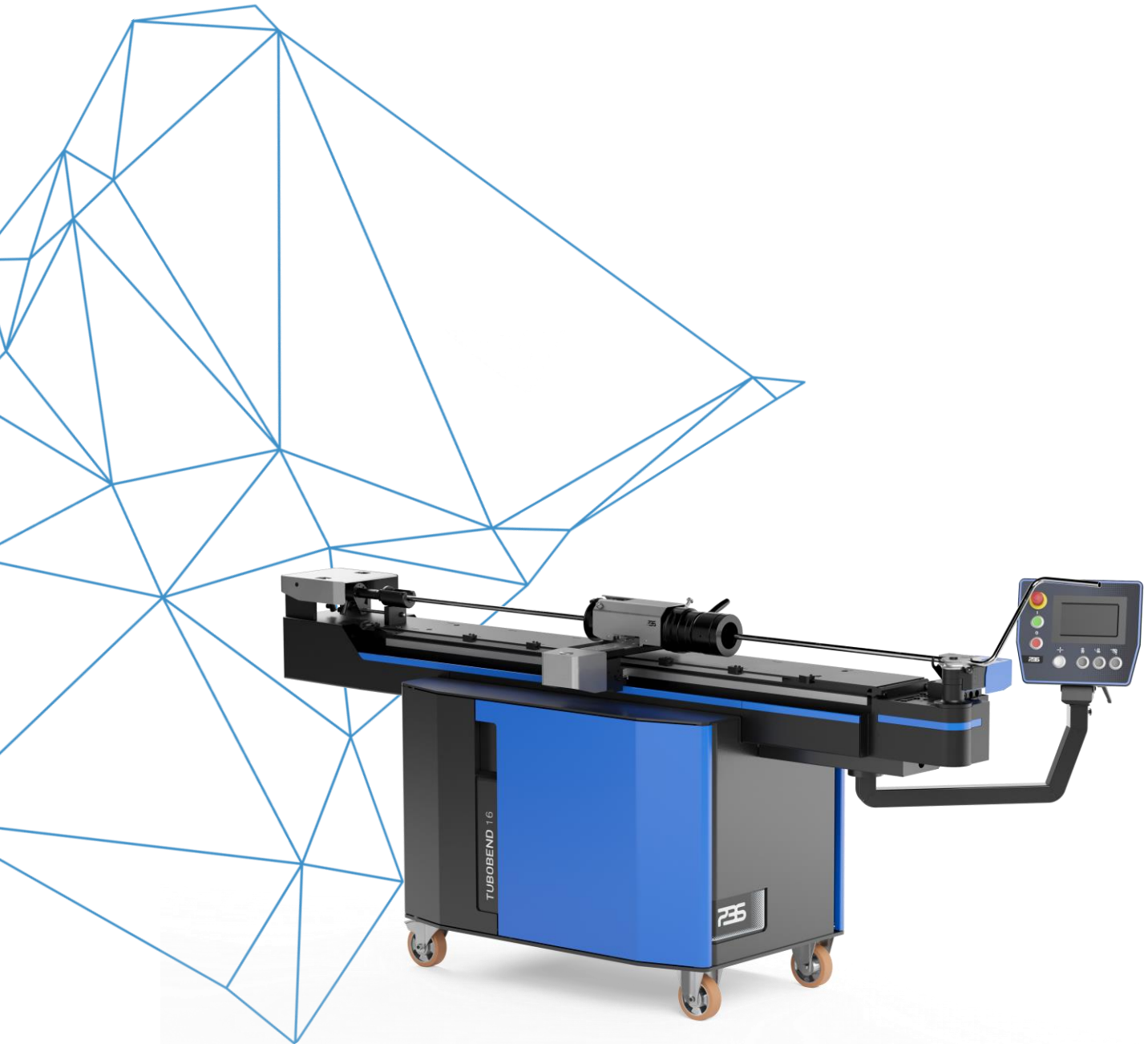




PIPE BENDING SYSTEMS | simply smart.

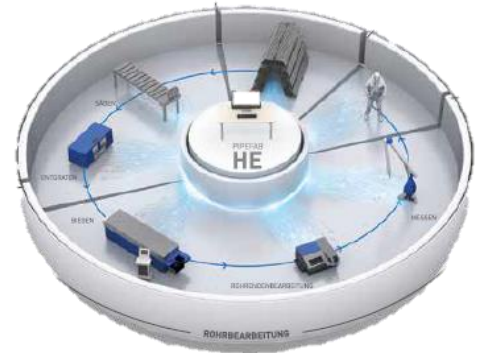


TUBOBEND 16

SEMI-AUTOMATIC
PIPE BENDING MACHINE

BASIC EQUIPMENT / FEATURES

- Compact and exposed bending head for maximum bending space
- Electronic control of the bending axis with 7" Touch Panel, set-point / actual value display, automatic sequencing of the data records and storage for 100 bending programs
- Ergonomically optimized control panel
- Positioning device for pipe length and rotation, incl. 3-jaw chuck, stoppers and comfortable transversal adjustment
- Hydraulic pipe clamping with adjustable clamping pressure
- Very short tool changeover times
- Maintenance-friendly housing concept with optimized accessibilities
- Modern industrial design
- Machine mobile and flexible to use



ADDITIONAL EQUIPMENT / ACCESSORIES

- Mechanical quick-action chuck or hydraulic collet chuck
- Adjustable bending speed
- Length and rotation measuring system with digital display
- Comfortable sequencing of the data records for stopper adjustment
- Braking system for length and rotation positioning of the pipe
- Mandrel lubrication device
- Interface for data import from PIPEFAB HE pipe bending software
- Interface for remote maintenance of the machine control via VPN

MODELS

- Machine optionally available as right-hand or left-hand bender

TECHNICAL DATA

Maximum bending performance (steel pipe)	Ø 16,0 x 2,0 mm
Maximum bending radius	50 mm
Maximum bending speed	64°/s
Bending accuracy	± 0,1°
Useable length, approx.	1500/3000/4500/6000 mm
Weight, approx. ¹⁾	520 kg
Connected load	1,0 kW

¹⁾ Minimum pipe length over mandrel